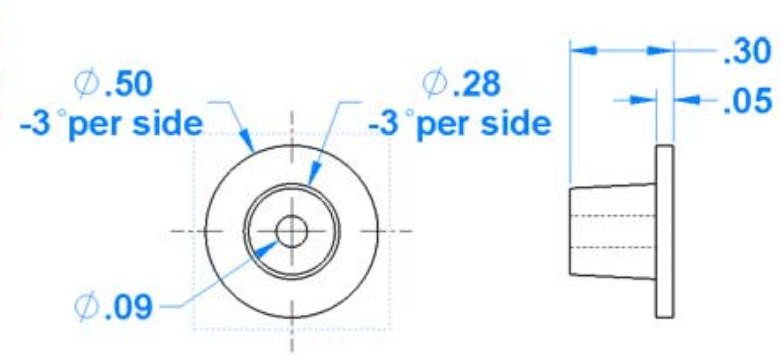
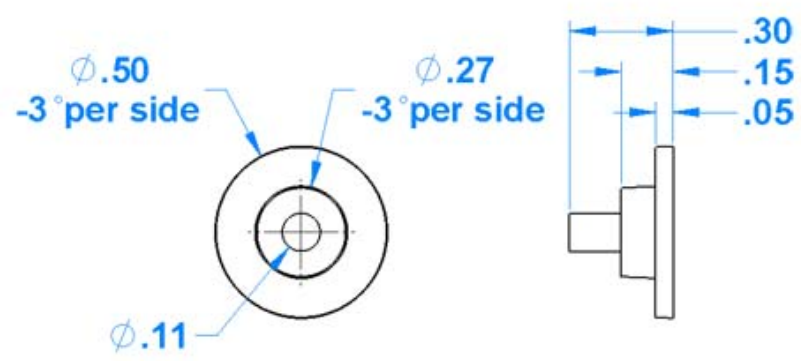


**Part No. 61**

**Part No. 60**



Dimensions in inches